

BONALDO

Kriss

Designer: **Maurizio and Silvia Varsi**

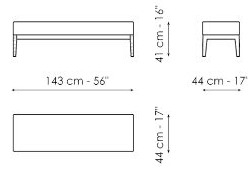
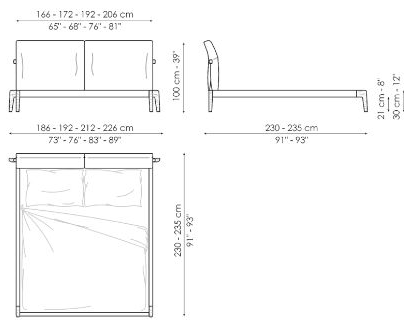


Kriss is a collection consisting of the romantic modern luxury design bed and coordinated accessories, a concept that focuses on the contrast and perfect harmony of fascinating materials: the elegant softness of fabric combined with the traditional solidity of wood. The modern wooden design bed's structure becomes a visible and characterizing element, while the cushions that make up the headrest provide extra

comfort. The result of a continuous aesthetic evolution, the sophisticated combinations of fabric and wood suggest the will to create elegant shapes and solutions, enhancing the qualities of both materials and giving a warm, welcoming and exclusive look. In addition to the double bed, a bench is also available in the Kriss collection.



Data sheet



Kriss

Width: 186-192-212-226cm

Depth: 230-235cm

Height: 100cm

Kriss bench

Width: 143cm

Depth: 44cm

Height: 41cm

Finishes

BASE

Wood



Solid wood
American walnut



Solid wood
Coal ash

Materials, fabrics, leathers, colors and finishes are approximate and may slightly differ from actual ones. You can find the complete collection of Bonaldo fabrics and leathers on the website <https://www.bonaldo.biz/>

